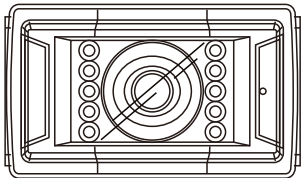


Voyager[®]

EXPAND your vision™

NTSC SYSTEM VCCS155 / VCCS155B



VCCS155 / VCCS155B Features:

- High Resolution, 1/4" CCD Color Camera
- Compact / Lightweight Aluminum Die Cast Body
- IP69K Waterproof Design
- Microphone
- Adjustable Mounting Angle
- Wide Angle Lens
- Aluminum Bracket and SS. Hardware included
- IR LED Low Light Enhancement

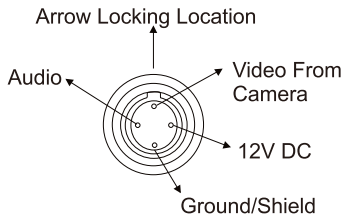
Contents:

Camera

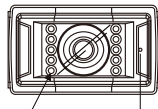
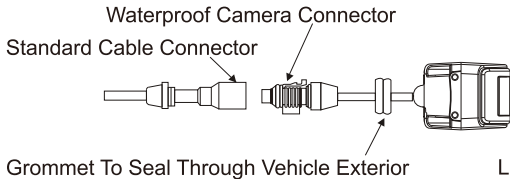
Bracket

Hardware Kit

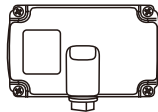
Installation and Pin Out:



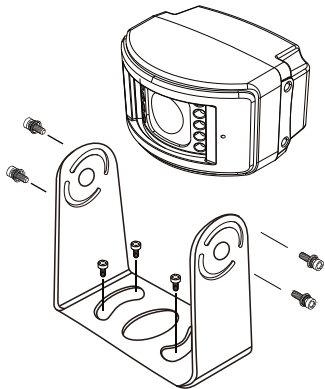
Cable Connector
End View



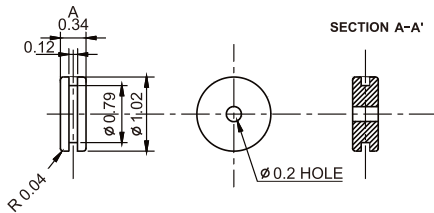
LED Assisted
Illumination



Installation



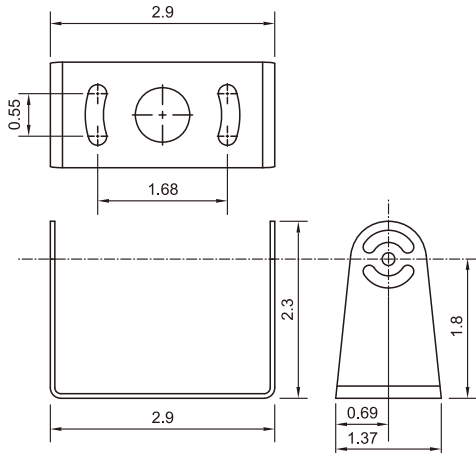
Bracket & Grommet Dimension



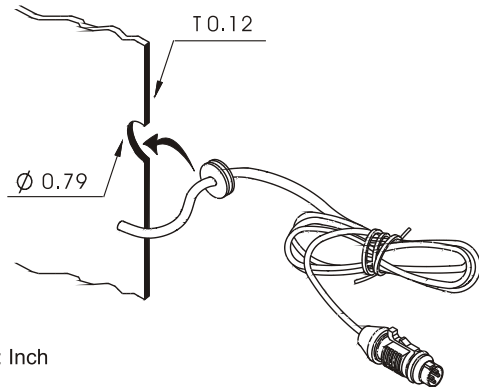
SECTION A-A'

$\phi 0.2$ HOLE

Unit : Inch

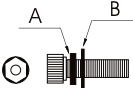



Recommended Hole size & thickness


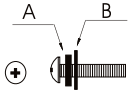



Unit : Inch

Camera to bracket hardware

Specifications	Q'ty
 <p>Hex Socket Head M4X8 Stainless screws</p>	4
 <p>Allen wrench</p>	1

Bracket to vehicle hardware

Specifications	Q'ty
 <p>Tapping P/H W/Washer M5X16 Stainless screws</p>	4
 <p>Machine Screw T/H M5X16 Stainless</p>	4
 <p>Locking nuts M5 stainless</p>	4

Specifications

Signal System	: NTSC
Image Sensor	: 1/4" Color CCD W/electronic auto-iris 420 TV Lines
Viewing Angle	: 120°(H), 90°(V), 155°(D)
Outer Dimensions	: 68.8(W) x 43(H) x 63.5(D) mm 2.7(W) x 1.7(H) x 2.5(D) Inch
Weight	: Approx. 0.25kg / 0.55lbs / 8.8oz

* Specifications are subject to change without notice.



THE MOBILE ELECTRONICS COMPANY SINCE 1977

www.asaelectronics.com